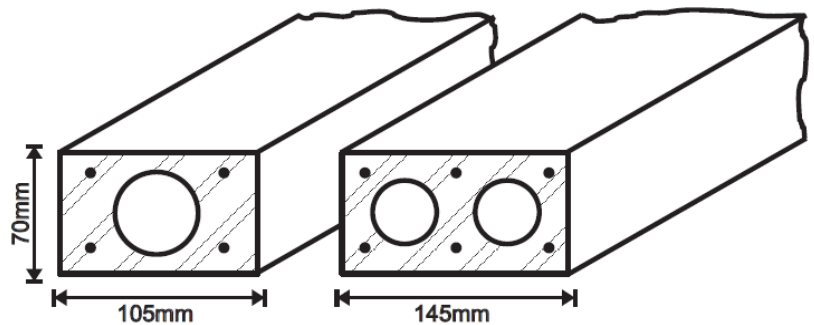


PRESTRESSED LINTELS

Cavcon **PRESTRESSED LINTELS** are manufactured in our world class production facility within the Eastern Cape and have maintained the highest quality standards for over 25 years ensuring the **BEST** quality manufactured lintel in South Africa. Distributed throughout South Africa.



Advantages of using a Cavcon lintel:

- Versatile, light in weight, easy to handle and no lintel recesses
- Saves on labour and material costs with no recesses to fill
- Lintels are symmetrical and can be used on any side, therefore once again, increasing artisan's productivity

Available lengths: From 900 mm – 6000 mm in increments of 300 mm

Compressive strength of concrete:

Since we strive to deliver quality products at all times and need to adhere to SABS standards, it is a standard procedure at Cavcon to send test cubes in for testing every month. These test results together with our very well controlled quality inspections on all products, we are proud to say that we have an extremely strong lintel, with an average compressive strength of **43 Mpa** at 28 days.

Technical details

Mass per meter:

LS – 105 mm x 70 mm = 15 kg / meter

LM – 145 mm x 70 mm = 19 kg / meter

Moment of resistance:

LS – 105 mm x 70 mm = 705 Nm

LM – 145 mm x 70 mm = 1050 Nm

Number of 2.64 mm crimped prestressed wires (for lintels up to 4200 mm):

LS – 105 mm x 70 mm = **4 wires**

LM – 145 mm x 70 mm = **6 wires**

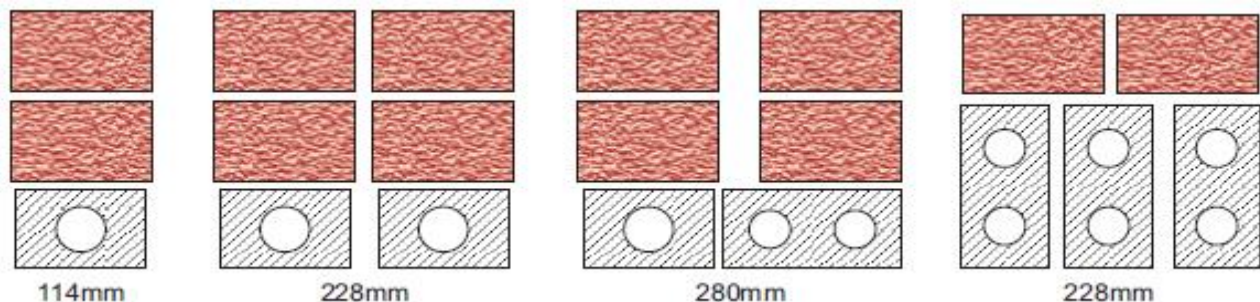
Number of 2.64 mm crimped prestressed wires (for lintels from 4500 mm up to 6000 mm):

LS – 105 mm x 70 mm = **8 wires**

LM – 145 mm x 70 mm = **12 wires**

Erection guidelines:

- *900 mm – 3000 mm lintels:* Minimum bearing of 200 mm on each side and four courses of bricks
- *3000 mm – 4200 mm lintels:* Minimum bearing of 250 mm on each side and five courses of bricks. Temporarily support in center for approximately for 7 days.
- *4500 mm x 6000 mm lintels:* Minimum bearing of 300 mm on each side and six courses of bricks. Temporarily support in center for approximately for 10 days.
- *4500 mm x 6000 mm lintels:* Cavcon recommends laying the lintels up right, which will be on the narrow side to increase their moment of resistance. Use 3 lintels side by side if necessary. Minimum bearing of 200 mm on each side and five courses of bricks. Not necessary to prop although always recommended.



Lintel weights:

LS

70 x 105 x 900 = 13.5 kg

70 x 105 x 1200 = 18.0 kg

70 x 105 x 1500 = 22.5 kg

70 x 105 x 1800 = 27.0 kg

70 x 105 x 2100 = 31.5 kg

70 x 105 x 2400 = 36.0 kg

70 x 105 x 2700 = 40.5 kg

70 x 105 x 3000 = 45.0 kg

70 x 105 x 3300 = 49.5 kg

70 x 105 x 3600 = 54.0 kg

70 x 105 x 3900 = 58.5 kg

70 x 105 x 4200 = 63.0 kg

70 x 105 x 4500 = 67.5 kg

70 x 105 x 4800 = 72.0 kg

70 x 105 x 5100 = 76.5 kg

70 x 105 x 5400 = 81.0 kg

70 x 105 x 5700 = 85.5 kg

70 x 105 x 6000 = 90.0 kg

LM

70 x 145 x 900 = 17.1 kg

70 x 145 x 1200 = 22.8 kg

70 x 145 x 1500 = 28.5 kg

70 x 145 x 1800 = 34.2 kg

70 x 145 x 2100 = 39.9 kg

70 x 145 x 2400 = 45.6 kg

70 x 145 x 2700 = 51.3 kg

70 x 145 x 3000 = 57.0 kg

70 x 145 x 3300 = 62.7 kg

70 x 145 x 3600 = 68.4 kg

70 x 145 x 3900 = 74.1 kg

70 x 145 x 4200 = 79.8 kg

70 x 145 x 4500 = 85.5 kg

70 x 145 x 4800 = 91.2 kg

70 x 145 x 5100 = 96.9 kg

70 x 145 x 5400 = 102.6 kg

70 x 145 x 5700 = 108.3 kg

70 x 145 x 6000 = 114.0 kg

Please feel free to contact our sales departments:

Eastern Cape:

041 991 0622 / 071 290 9703

sales@cavcon.co.za

Western Cape:

060 997 6199

salescpt@cavcon.co.za

www.cavcon.co.za